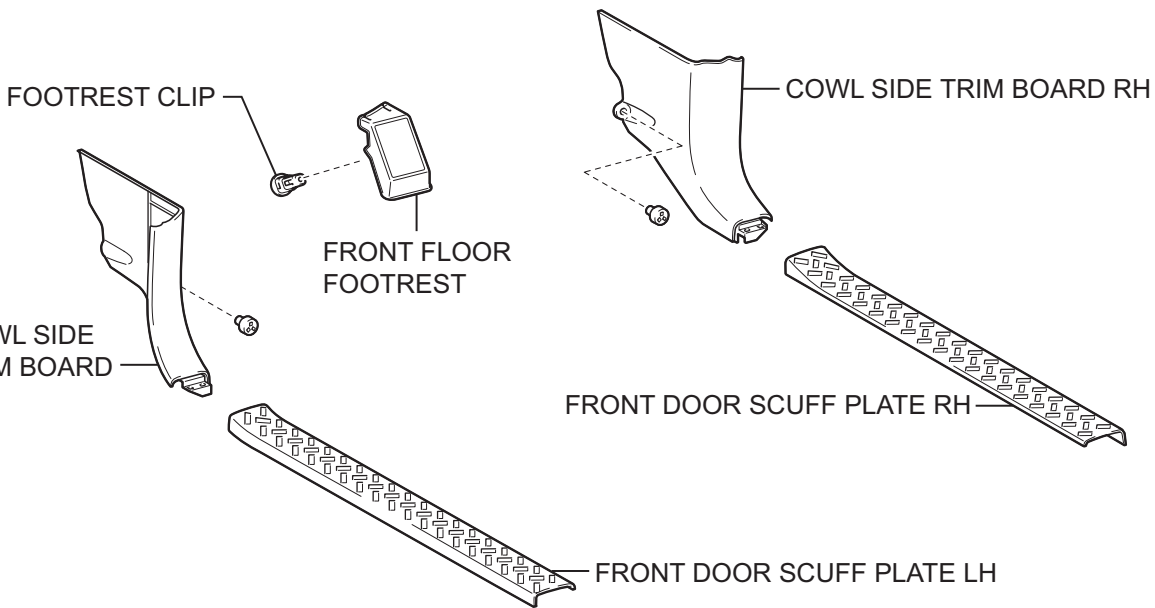
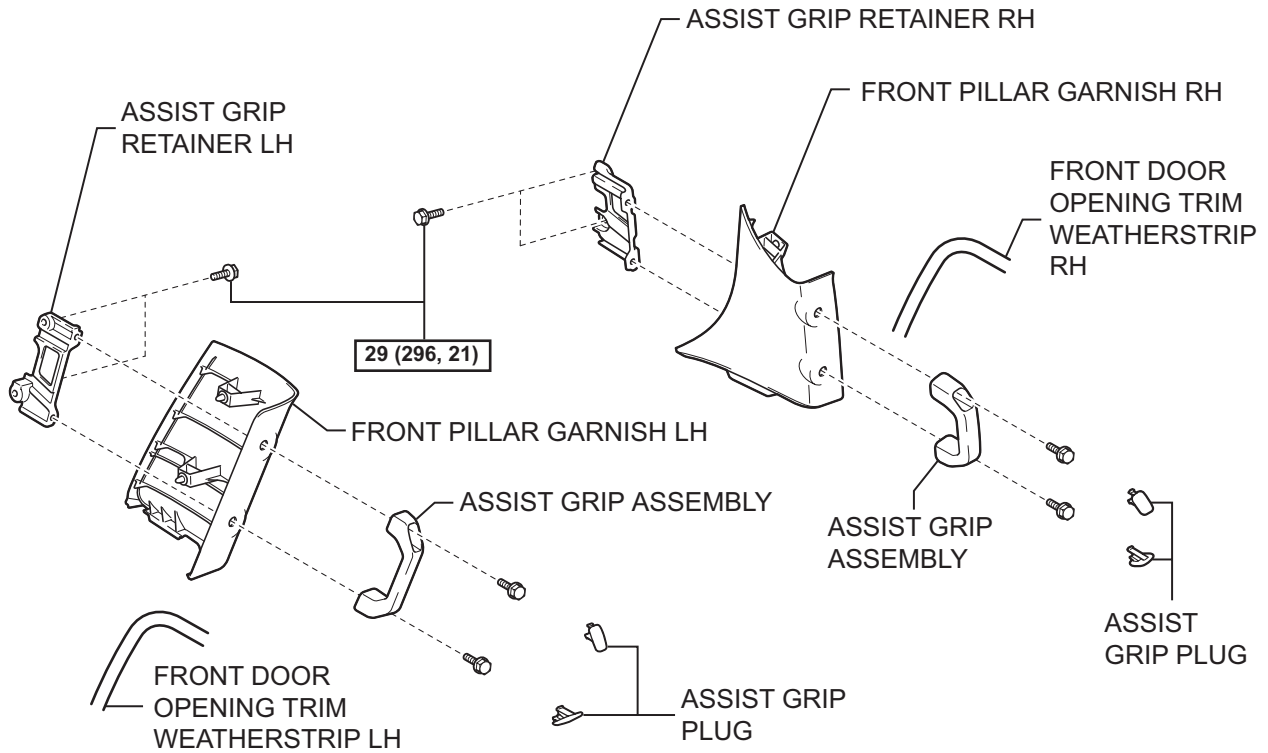


# UNLOCK WARNING SWITCH

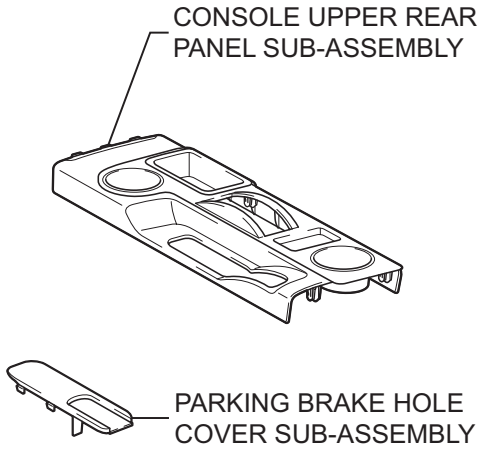
## COMPONENTS



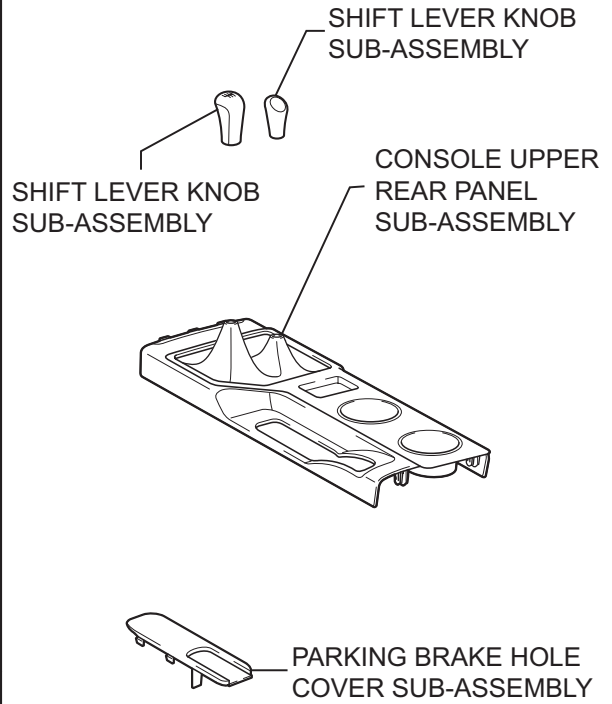
**[N\*m (kgf\*cm, ft\*lbf)]** : Specified torque

DL

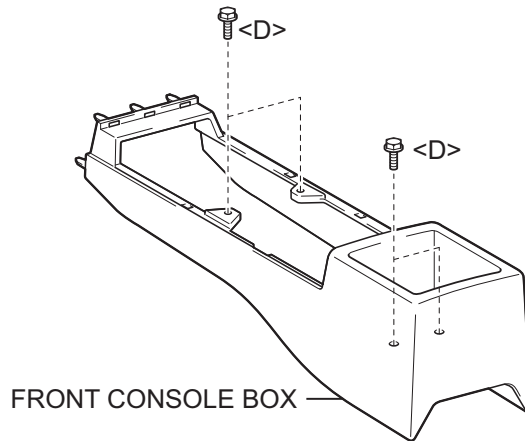
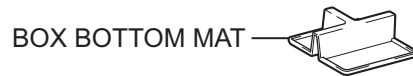
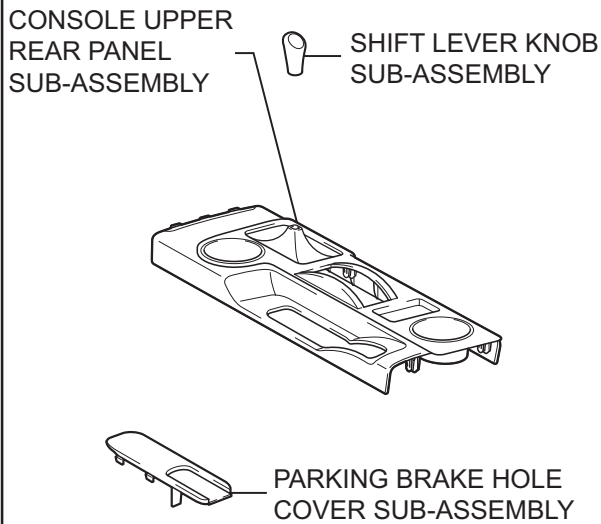
**for Automatic Transmission 2WD:**



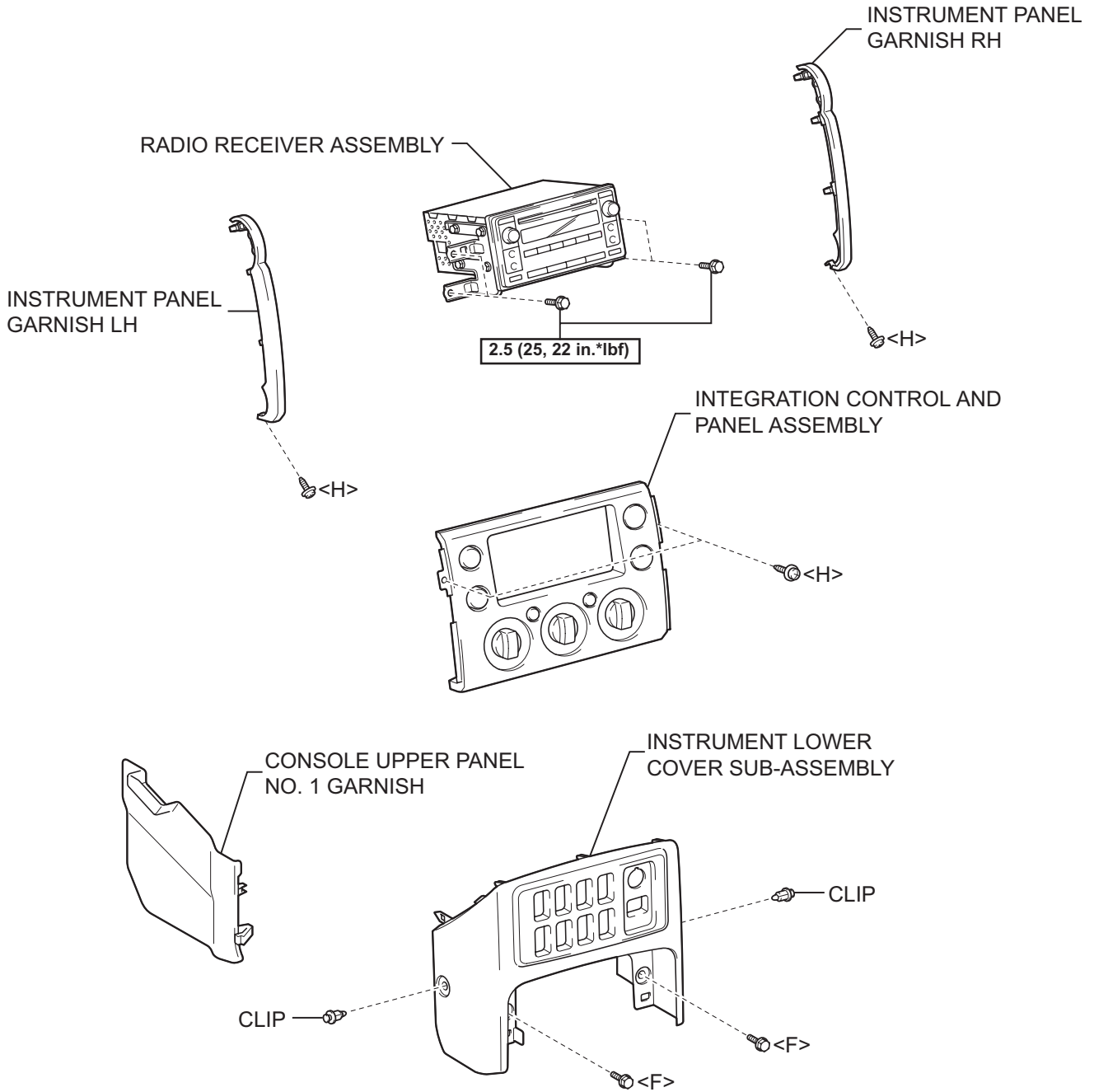
**for Manual Transmission 4WD:**



**for Automatic Transmission 4WD:**



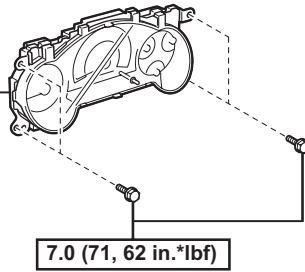
DL



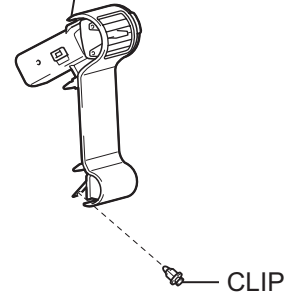
DL

**N\*m (kgf\*cm, ft\*lbf)** : Specified torque

COMBINATION METER ASSEMBLY



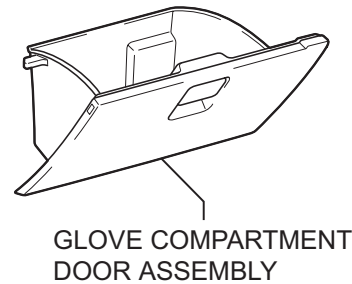
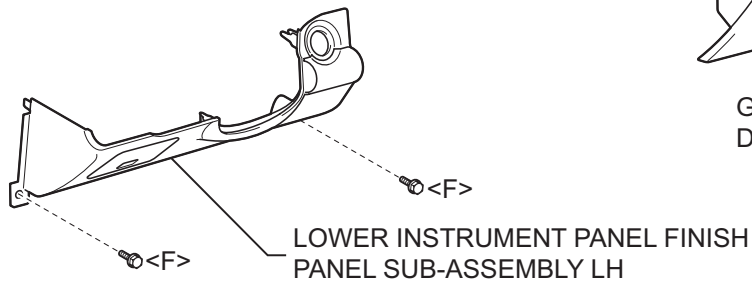
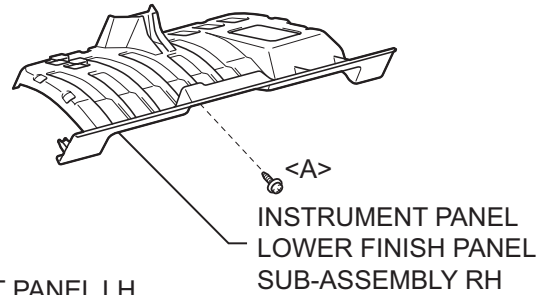
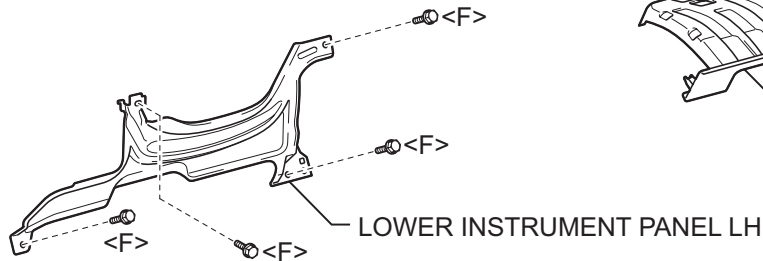
NO. 2 INSTRUMENT PANEL REGISTER ASSEMBLY



NO. 1 INSTRUMENT PANEL REGISTER ASSEMBLY

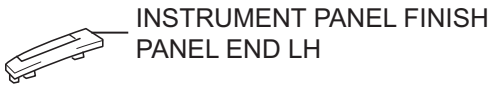


INSTRUMENT CLUSTER FINISH PANEL

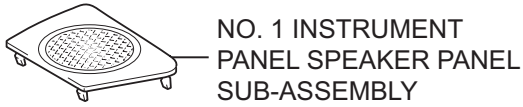


**N\*m (kgf\*cm, ft.\*lbf)** : Specified torque

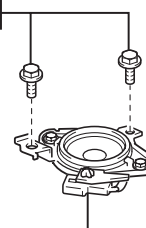
DL



NO. 2 INSTRUMENT PANEL SPEAKER  
PANEL SUB-ASSEMBLY

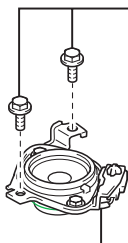


2.5 (25, 22 in.\*lbf)

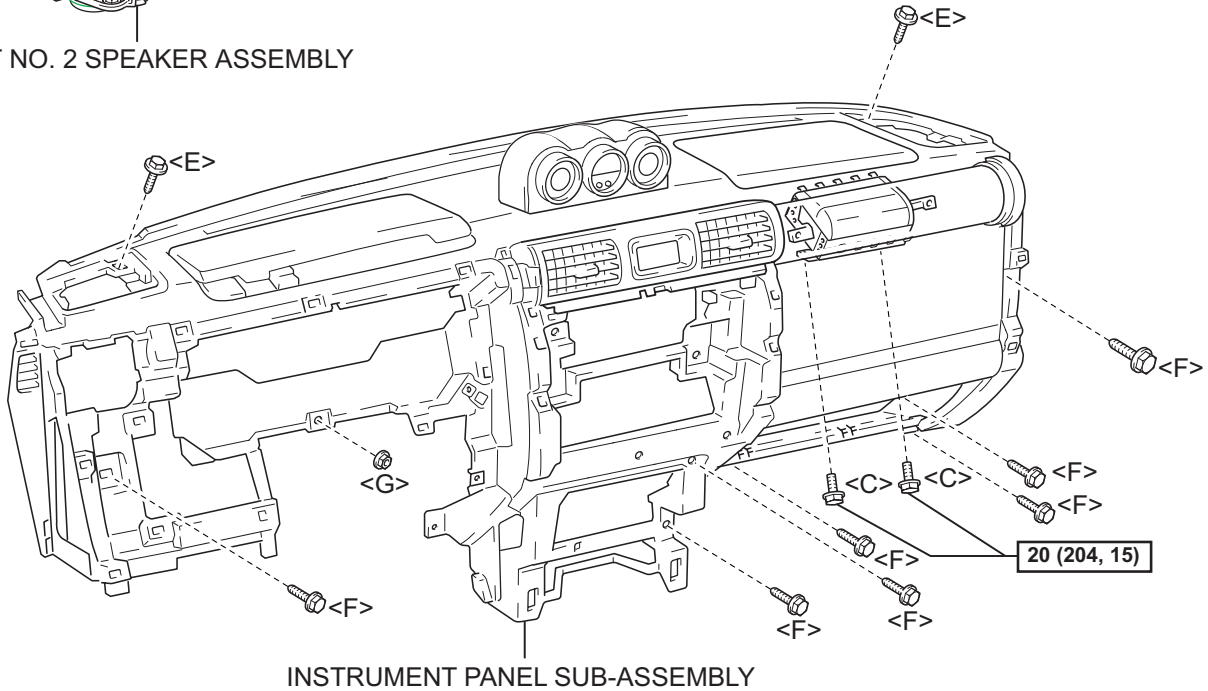


FRONT NO. 2 SPEAKER ASSEMBLY

2.5 (25, 22 in.\*lbf)

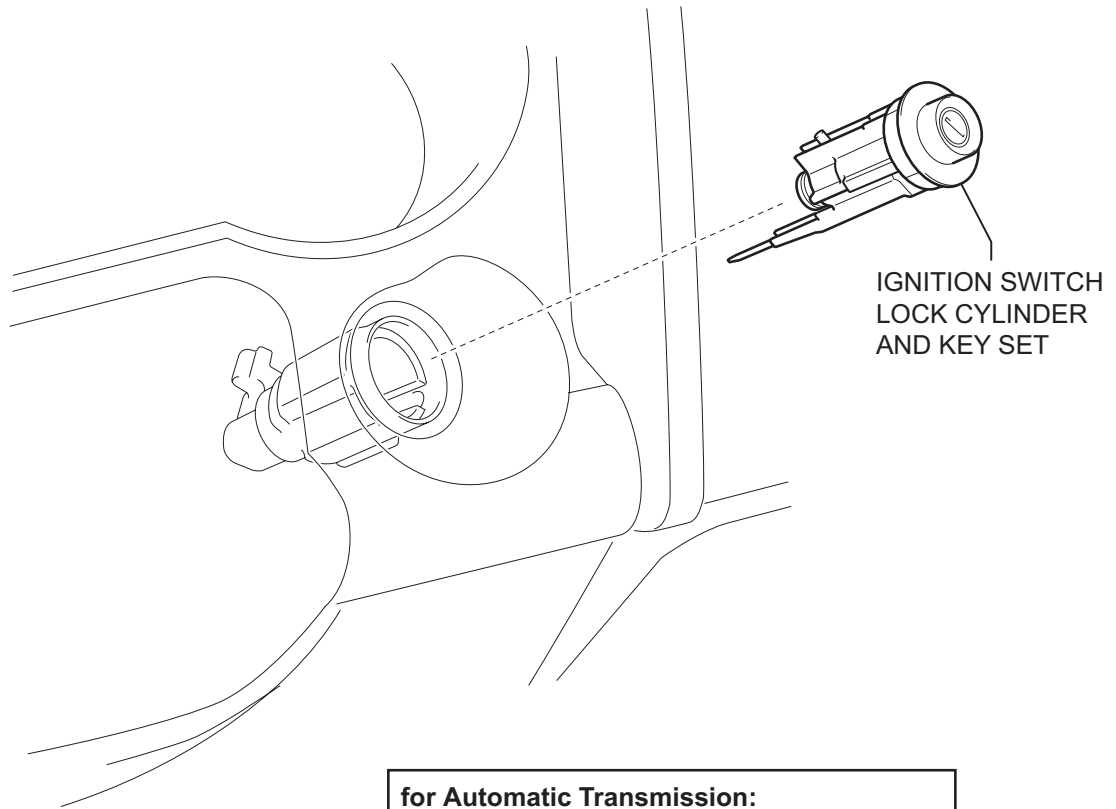


FRONT NO. 2 SPEAKER ASSEMBLY

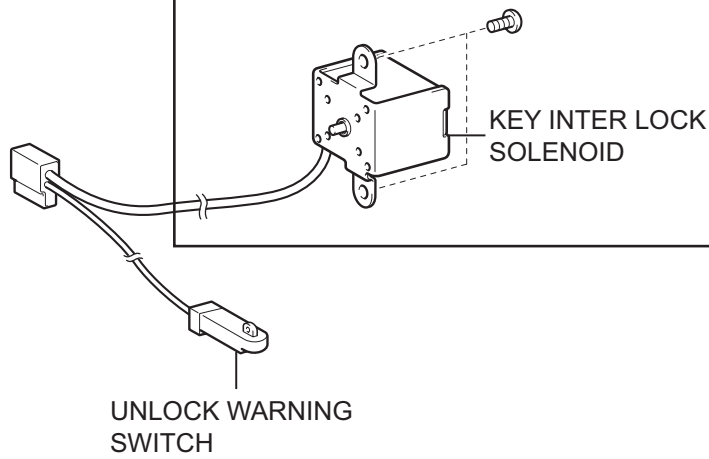


N\*m (kgf\*cm, ft\*lbf) : Specified torque

DL



for Automatic Transmission:



DL